



RFTQ3 Crystal Controlled PLL FM Transmitter Module

- FSK Transmitter Module
- 433MHz Operation
- Transmit Range Up To 700ft
- Miniature Single Inline Package
- Data Rate up to 9.6Kbps
- No Adjustable Components
- Very Stable Operating Frequency
- Operates from -25 to $+80^{\circ}\text{C}$
- 2.4V-3.6Vdc Operation



Applications

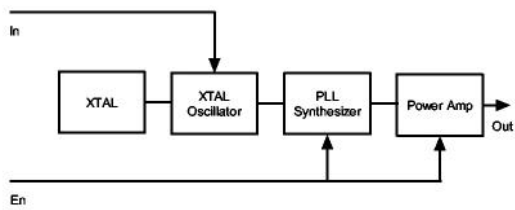
- Wireless Security Systems
- Home and Building Automation
- Car Alarms
- Remote Gate Controls
- Remote Sensing
- Data Capture
- IOT Sensor Reporting

Description

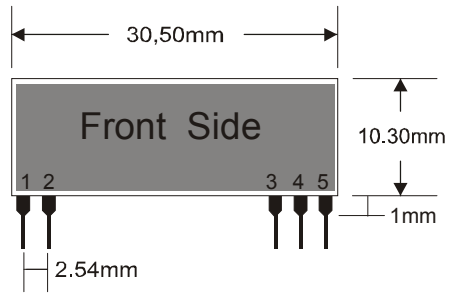
These miniature RF modules provide a cost effective high performance FSK Radio data link, at 433.92 MHz. The hybrid technology uses no adjustable components and ensures very reliable operation. This transmitter and companion receiver pair enables the simple implementation of a data link at distances up to 200ft in-building and 700ft open ground.

These RF modules will suit one-to-one and multi-node wireless links in applications including car and building security, EPOS and inventory tracking, remote industrial process monitoring and computer networking. Because of their small size and low power requirements, both modules are ideal for use in portable, battery powered applications such as hand-held terminals.

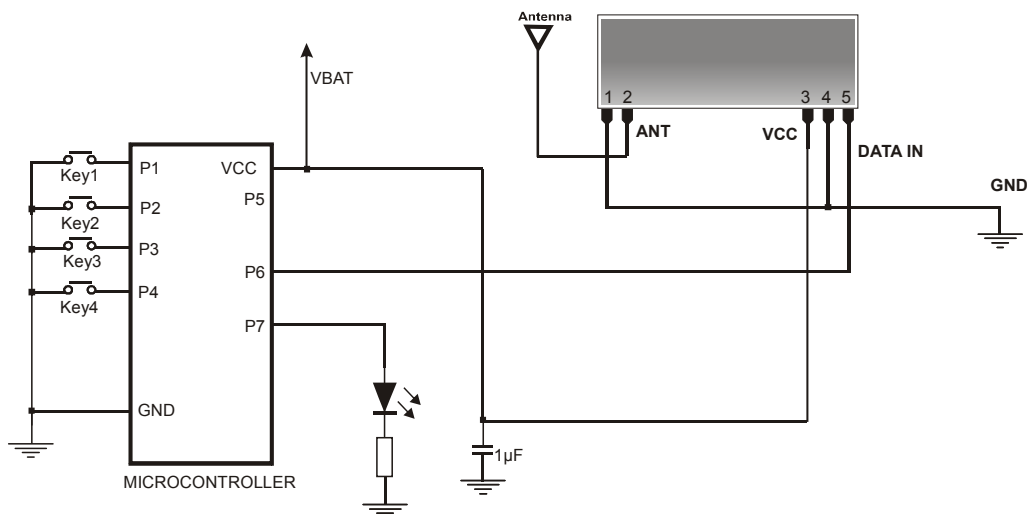
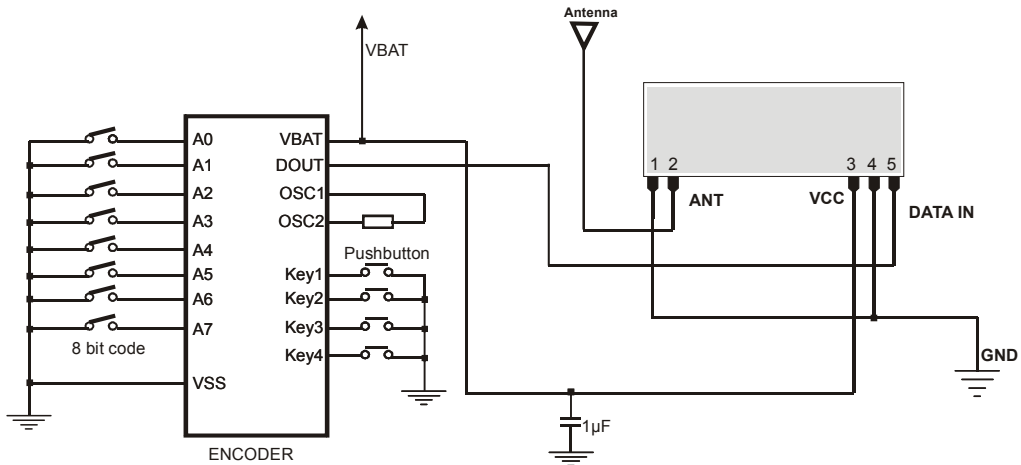
Transmitter Block Diagram



Mechanical Dimensions



Typical Applications



Pin Description

RTFQ2	Name	Description
1	GND	Ground
2	ANT	External Antenna
3	Vcc	Supply Voltage
4	GND	Ground
5	IN	Data In

Specifications

Electrical Characteristics	MIN	TYPICAL	MAX	DIMENSION
Supply Voltage RTFQ2	2.5		3.6	V
Supply Current		14.5	15.5	mA
Standby Current (IN = EN = Low)			100	nA
Frequency		433.92		MHz
RF Output Power	8	10		dBm
Initial Frequency Accuracy	-35		+35	KHz
FM Deviation	25	30	35	KHz
Power up Time (Power on to full RF)			5	mS
Max Data Rate			40	Kbits/s
Operating Temperature	-25		+80	°C